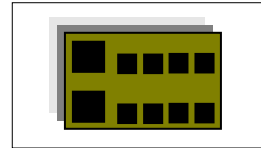


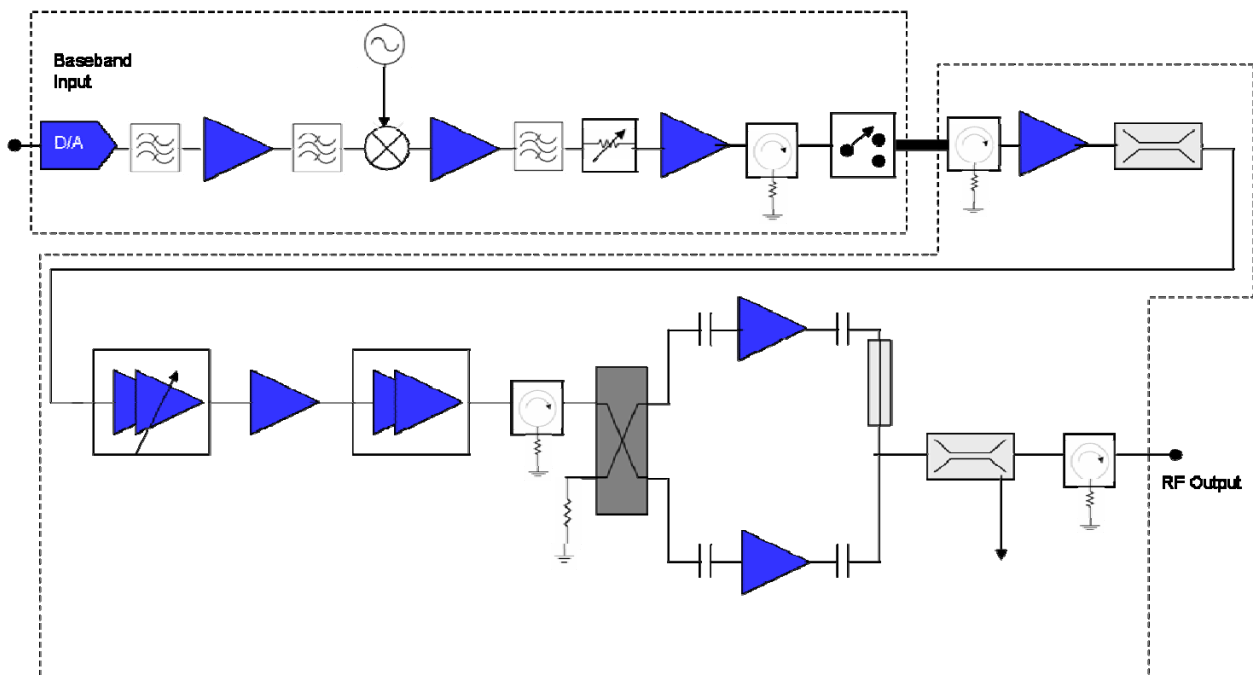
Earl J. Lum
+1-650-430-2221
elum@ejlwireless.com



10th Edition

Global BTS Transceiver Market Analysis and Forecast, 2014-2018

February 2014



Entire contents © 2014 EJL Wireless Research LLC. All Rights Reserved. Reproduction of this publication in any form without prior written permission is strictly forbidden and will be prosecuted to the fully extent of US and International laws. The transfer of this publication in either paper or electronic form to unlicensed third parties is strictly forbidden. The information contained herein has been obtained from sources EJL Wireless Research LLC deems reliable. EJL Wireless Research disclaims all warranties as to the accuracy, completeness, or adequacy of such information. EJL Wireless Research LLC shall have no liability for errors, omissions, or inadequacies in the information contained herein or for the interpretation thereof. The reader assumes sole responsibility for the selection of these materials to achieve its intended results. The opinions expressed herein are subject to change without notice.

TABLE OF CONTENTS

EXECUTIVE SUMMARY	6
2013 Review: The Year of LTE	7
2014-2018 Forecast	9
Demand Drivers for Our Forecast	10
Summary.....	11
RESEARCH METHODOLOGY	12
CHAPTER 1: OVERALL MARKET PERFORMANCE.....	13
1.1 2013: Record Shipments for LTE: TDD Driving Volumes	13
1.2 OEM Analysis –Huawei Becomes Dominant Market Leader	19
1.3 The Chinese Factor	20
1.4 TRx Forecast 2014-2018.....	22
CHAPTER 2: LTE	30
2.1 LTE Market Share	32
2.2 LTE Demand Driven by TDD Bands.....	35
2.3 Chinese Market Share	37
2.4 LTE TRx Forecast 2013-2018.....	39
2.5 TD-LTE Taking Hold in China, India and US	44
2.6 LTE Release 10/11/12/13/14/15- LTE-Advanced and its Impact on TRx.....	46
CHAPTER 3: W-CDMA/HSPA+	49
3.1 W-CDMA Market Share Analysis.....	49
3.2 Shipments of W-CDMA900 nearly double in 2013 while W-CDMA2100 drops 28%	52
3.3 The Chinese Factor	53
3.4 W-CDMA Forecast 2014-2018.....	55
CHAPTER 4: GSM CONTINUES DECLINING.....	59
4.1 GSM Market Share Analysis.....	59
4.2 The Chinese Factor	62
4.3 Both GSM900 and GSM1800 Sharply Decline	63
4.4 GSM Forecast 2014-2018.....	65
CHAPTER 5: CDMA2000 1x/EV-DO	69
5.1 CDMA Market Share Analysis.....	69
5.2 The Chinese Factor	71
5.3 CDMA850 and CDMA1900 Driving Demand.....	73
5.4 CDMA2000 Forecast 2014-2018.....	74
CHAPTER 6: GEOGRAPHICAL MARKET SHARE	78
China LTE Driving Strong Rebound	78
6.1 North & Latin America	81
6.2 Western & Eastern Europe	84
6.3 Africa & Middle East	86
6.4 Asia Pacific	89
6.5 Brazil/Russia/India/China (BRIC) Analysis	93
CHAPTER 7: TRX OEM COMPANY PROFILES	97
7.1 Alcatel-Lucent	98
7.2 Ericsson	101
7.3 Huawei Technologies.....	104
7.4 Nokia Solutions Networks	107
7.5 Samsung Electronics	110

7.6 ZTE 113

TABLES

Table 1: Global TRx Market Share by OEM, 2012-2013 (Units)	9
Table 2: Global TRx Market Share by Air Interface/Frequency, 2012-2013 (Units).....	15
Table 3: Global TRx Market Share by Air Interface, 2012-2013 (Units)	15
Table 4: Global TRx Market Share by OEM, 2012-2013 (Units)	19
Table 5: Global TRx Market Share, Chinese vs. ROW, 2012-2013 (Units)	20
Table 6: Global TRx Forecast by Air Interface/Frequency, 2014-2018 (Units).....	25
Table 7: Global TRx Forecast by Air Interface/Frequency, 2014-2018 (% Market Share)	26
Table 8: Global TRx Forecast by Air Interface/Frequency, 2014-2018 (% YoY Growth)	27
Table 9: Global TRx Forecast by Air Interface, 2014-2018 (Units)	28
Table 10: Global TRx Forecast by Air Interface, 2014-2018 (% Market Share)	28
Table 11: Global TRx Forecast by Air Interface, 2014-2018 (% YoY Growth)	28
Table 12: Global LTE TRx Market Share, 2012-2013 (Units)	32
Table 13: Global LTE-FDD TRx Market Share, 2012-2013 (Units)	33
Table 14: Global LTE-TDD TRx Market Share, 2012-2013 (Units)	34
Table 15: Global LTE TRx Market Share by Frequency, 2012-2013 (Units).....	35
Table 16: Global LTE TRx Market Share, Chinese vs. ROW, 2012-2013 (Units)	37
Table 17: Global LTE TRx Forecast, FDD vs. TDD, 2014-2018 (Units)	42
Table 18: Global LTE TRx Shipment Forecast, 2014-2018 (Units)	42
Table 19: Global LTE TRx Shipment Forecast, 2014-2018 (% Market Share)	42
Table 20: Global LTE TRx Shipment Forecast, 2014-2018 (% Growth YoY)	43
Table 21: Global W-CDMA TRx Market Share, 2012-2013 (Units)	51
Table 22: Global W-CDMA TRx Market Share by Frequency, 2012-2013 (Units)	52
Table 23: Global W-CDMA TRx Market Share, Chinese vs. ROW, 2012-2013 (Units)	53
Table 24: Global W-CDMA TRx Shipment Forecast, 2014-2018 (Units).....	57
Table 25: Global W-CDMA TRx Shipment Forecast, 2014-2018 (% Market Share)	58
Table 26: Global W-CDMA TRx Shipment Forecast, 2014-2018 (% YoY Growth).....	58
Table 27: Global GSM TRx Market Share, 2012-2013 (Units)	60
Table 28: Global GSM TRx Market Share, Chinese vs. ROW, 2012-2013 (Units)	62
Table 29: Global GSM TRx Market Share by Frequency, 2012-2013 (Units)	63
Table 30: Global GSM TRx Shipment Forecast, 2014-2018 (Units).....	67
Table 31: Global GSM TRx Shipment Forecast, 2014-2018 (% Market Share)	67
Table 32: Global GSM TRx Shipment Forecast, 2014-2018 (% YoY Growth)	67
Table 33: Global CDMA2000 TRx Market Share, 2012-2013 (Units)	70
Table 34: Global CDMA2000 TRx Market Share, Chinese vs. ROW, 2012-2013 (Units)	71
Table 35: Global CDMA2000 TRx Market Share by Frequency, 2012-2013 (Units)	73
Table 36: Global CDMA2000 TRx Shipment Forecast, 2014-2018 (Units).....	77
Table 37: Global CDMA2000 TRx Shipment Forecast, 2014-2018 (% Market Share)	77
Table 38: Global CDMA2000 TRx Shipment Forecast, 2014-2018 (% YoY Growth)	77
Table 39: Global TRx Shipment Forecast by Region, 2014-2018 (Units)	78
Table 40: Global TRx Shipment Forecast by Region, 2014-2018 (% Market Share)	80
Table 41: Global TRx Shipment Forecast by Region, 2014-2018 (% YoY Growth)	80
Table 42: Brazil/Russia/India/China TRx Forecast, 2013-2018 (Units)	93
Table 43: Brazil/Russia/India/China TRx Forecast, 2013-2018 (% Market Share)	93
Table 44: Alcatel-Lucent TRx Shipments by Air Interface/Frequency, 2012-2013 (Units).....	99
Table 45: Alcatel-Lucent TRx Shipments by Air Interface, 2012-2013 (Units)	99
Table 46: Ericsson TRx Shipments by Air Interface/Frequency, 2012-2013(Units)	102
Table 47: Ericsson TRx Shipments by Air Interface, 2012-2013 (Units).....	102
Table 48: Nokia Solutions Networks TRx Shipments by Air Interface/Frequency, 2012-2013 (Units)	108
Table 49: Nokia Solutions Networks TRx Shipments by Air Interface, 2012-2013 (Units).....	108
Table 50: Samsung TRx Shipments by Air Interface/Frequency, 2012-2013 (Units).....	111
Table 51: Samsung TRx Shipments by Air Interface, 2012-2013 (Units)	111
Table 52: ZTE TRx Shipments by Air Interface/Frequency, 2012-2013 (Units)	114
Table 53: ZTE TRx Shipments by Air Interface, 2012-2013 (Units)	114

EXHIBITS

Exhibit 1: Global TRx Forecast 2014-2018, (% YoY Growth).....	9
Exhibit 2: Comparison of 2013 Global TRx Forecast vs. Actual Shipments	14
Exhibit 3: Global TRx Shipments, 2012-2013 (Units)	14
Exhibit 4: Global TRx Market Share by Air Interface, 2013 (Units).....	16
Exhibit 5: Global TRx Market Share by Technology Generation, 2013 (Units).....	17
Exhibit 6: Global UMTS TRx Market Share by Technology, 2013 (Units)	17
Exhibit 7: Global TRx Market Share by Air Interface, 2012-2013 (Units)	18
Exhibit 8: Global TRx Market Share by OEM, 2013 (Units).....	19
Exhibit 9: Global TRx Market Share, Chinese vs. ROW, 2012-2013 (Units)	20
Exhibit 10: Global TRx Market Share, Chinese vs. ROW, 2013 (Units).....	21
Exhibit 11: Global TRx Forecast 2014-2018, (% YoY Growth)	22
Exhibit 12: Global TRx Shipment Forecast, Prior vs. Current, 2014-2018 (Units).....	23
Exhibit 13: Global TRx Shipment Historical Trend, 2002-2013, (% YoY Growth).....	23
Exhibit 14: Global TRx Forecast by Air Interface, 2014-2018 (% Market Share).....	28
Exhibit 15: Global TRx Forecast by Air Interface, 2018 (% Market Share)	29
Exhibit 16: Comparison of 2013 Global LTE TRx Forecast vs. Actual Shipments.....	31
Exhibit 17: Global LTE TRx Shipments, 2012-2013 (Units)	31
Exhibit 18: Global LTE TRx Market Share by OEM, 2013 (Units)	32
Exhibit 19: Global LTE-FDD TRx Market Share by OEM, 2013 (Units).....	33
Exhibit 20: Global LTE-TDD TRx Market Share by OEM, 2013 (Units).....	34
Exhibit 21: LTE TRx Market Share by Frequency, 2013 (Units).....	35
Exhibit 22: Global LTE TRx Market Share by Frequency, 2012-2013 (Units).....	36
Exhibit 23: Global LTE TRx Market Share by Duplex Mode, 2013 (Units)	36
Exhibit 24: Global TRx Market Share, Chinese vs. ROW, 2012-2013 (Units)	37
Exhibit 25: Global LTE TRx Market Share, Chinese vs. ROW, 2013 (Units).....	38
Exhibit 26: Global LTE TRx Forecast 2014-2018, (% YoY Growth)	39
Exhibit 27: Global LTE TRx Forecast 2014-2018 (Units)	40
Exhibit 28: Global LTE TRx Forecast, Prior vs. Current, 2014-2018 (Units)	41
Exhibit 29: Global LTE TRx Forecast, FDD vs. TDD, 2014-2018 (Units)	41
Exhibit 30: Global LTE TRx Shipment Forecast by Frequency Band, 2014-2018 (Units)	43
Exhibit 31: TDD Frequency Bands, 1800-2700MHz.....	45
Exhibit 32: LTE-Advanced Release Evolution.....	48
Exhibit 33: Global W-CDMA TRx Shipments, 2012-2013 (Units)	50
Exhibit 34: Global W-CDMA TRx Market Share by OEM, 2013 (Units).....	51
Exhibit 35: Global W-CDMA TRx Market Share by Frequency, 2013 (Units).....	52
Exhibit 36: Global W-CDMA TRx Market Share by Frequency, 2012-2013 (Units)	53
Exhibit 37: Global W-CDMA TRx Market Share, Chinese vs. ROW, 2012-2013 (Units)	54
Exhibit 38: Global W-CDMA TRx Market Share, Chinese vs. ROW, 2013 (Units)	54
Exhibit 39: Global W-CDMA TRx Shipment Forecast, 2014-2018, (% YoY Growth).....	55
Exhibit 40: Global W-CDMA TRx Shipment Forecast, 2014-2018 (Units).....	56
Exhibit 41: Global W-CDMA TRx Shipment Forecast, Prior vs. Current, 2014-2018 (Units).....	57
Exhibit 42: Global W-CDMA TRx Shipment Forecast, 2014-2018 (Units).....	58
Exhibit 43: Comparison of 2013 GSM TRx Forecast vs. Actual Shipments (Units)	59
Exhibit 44: Global GSM TRx Shipments, 2012-2013 (Units)	60
Exhibit 45: Global GSM TRx Market Share by OEM, 2013 (Units).....	61
Exhibit 46: Global GSM TRx Market Share, Chinese vs. ROW, 2012-2013 (Units)	62
Exhibit 47: Global GSM TRx Market Share, Chinese vs. ROW, 2013 (Units)	63
Exhibit 48: Global GSM TRx Market Share by Frequency, 2013 (Units).....	64
Exhibit 49: Global GSM TRx Market Share by Frequency, 2012-2013 (Units)	64
Exhibit 50: Global GSM TRx Shipment Forecast, 2014-2018, (% YoY Growth)	65
Exhibit 51: Global GSM TRx Shipment Forecast, 2014-2018 (Units).....	66
Exhibit 52: Global GSM TRx Shipment Forecast, Prior vs. Current, 2014-2018 (Units)	67
Exhibit 53: Global GSM TRx Shipment Forecast, 2014-2018 (Units).....	68
Exhibit 54: Comparison of 2013 CDMA2000 TRx Forecast vs. Actual Shipments (Units)	69
Exhibit 55: Global CDMA2000 TRx Shipments, 2012-2013 (Units).....	70
Exhibit 56: Global CDMA2000 TRx Market Share by OEM, 2013 (Units).....	71
Exhibit 57: Global CDMA2000 TRx Market Share, Chinese vs. ROW, 2012-2013 (Units)	72
Exhibit 58: Global CDMA2000 TRx Market Share, Chinese vs. ROW, 2013 (Units)	72
Exhibit 59: Global CDMA2000 TRx Market Share by Frequency, 2013 (Units).....	73
Exhibit 60: Global CDMA2000 TRx Market Share by Frequency, 2012-2013 (Units)	74
Exhibit 61: Global CDMA2000 TRx Shipment Forecast, 2014-2018 (% YoY Growth)	75
Exhibit 62: Global CDMA2000 TRx Shipment Forecast, 2014-2018 (Units).....	76

Exhibit 63: Global CDMA2000 TRx Shipment Forecast, Prior vs. Current, 2014-2018 (Units)	76
Exhibit 64: Global CDMA2000 TRx Shipment Forecast, 2014-2018 (Units).....	77
Exhibit 65: Global TRx Market Share by Region, 2013 (Units).....	79
Exhibit 66: Global TRx Forecast by Region, 2018 (Units).....	79
Exhibit 67: North & Latin America TRx Forecast by Region, 2014-2018 (Units)	83
Exhibit 68: Western & Eastern Europe TRx Forecast by Region, 2014-2018 (Units)	86
Exhibit 69: Africa & Middle East TRx Forecast by Region, 2014-2018 (Units)	88
Exhibit 70: Asia Pacific TRx Forecast, 2014-2018 (Units).....	92
Exhibit 71: Brazil/Russia/India/China TRx Market Share, 2013 (Units).....	93
Exhibit 72: Brazil/Russia/India/China TRx Forecast, 2014-2018 (Units)	94
Exhibit 73: Brazil TRx Shipment Forecast 2014-2018 (Units).....	94
Exhibit 74: Russia TRx Shipment Forecast 2014-2018 (Units).....	95
Exhibit 75: China TRx Shipment Forecast 2014-2018 (Units).....	95
Exhibit 76: India TRx Shipment Forecast 2014-2018 (Units).....	96
Exhibit 77: China & India TRx Shipment Forecast 2014-2018 (Units).....	96
Exhibit 78: Alcatel-Lucent TRx Shipments by Air Interface/Frequency, 2013 (Units)	100
Exhibit 79: Alcatel-Lucent TRx Shipments by Air Interface, 2013 (Units).....	100
Exhibit 80: Ericsson TRx Shipments by Air Interface/Frequency, 2013 (Units)	103
Exhibit 81: Ericsson TRx Shipments by Air Interface, 2013 (Units)	103
Exhibit 82: Huawei TRx Shipments by Air Interface/Frequency, 2013 (Units).....	106
Exhibit 83: Huawei TRx Shipments by Air Interface, 2013 (Units)	106
Exhibit 84: Nokia Solutions Networks TRx Shipments by Air Interface/Frequency, 2013 (Units)	109
Exhibit 85: Nokia Solutions Networks TRx Shipments by Air Interface, 2013 (Units).....	109
Exhibit 86: Samsung TRx Shipments by Air Interface/Frequency, 2013 (Units).....	112
Exhibit 87: Samsung TRx Shipments by Air Interface, 2013 (Units).....	112
Exhibit 88: ZTE TRx Shipments by Air Interface/Frequency, 2013 (Units).....	115
Exhibit 89: ZTE TRx Shipments by Air Interface, 2013 (Units)	115